

Keysight Technologies

HBT Prescaler Evaluation Board

Technical Overview

Description

A connectorized evaluation PC board is available for Keysight Technologies, Inc. HBT prescalers. Table 1 lists the six SOIC8 packaged prescalers and their main features. See individual data sheets for additional features and specifications.

The evaluation PC board allows single bias operation from either a positive or negative supply. See Table 2. The PC board layout permits single ended or differential operation from ~200 MHz to 12/16 GHz input signal bandwidth. All RF ports are AC coupled, allowing direct connection to test equipment or additional circuitry, independent of selected bias polarity. For single ended operation the unused RF input port should be unterminated, and the unused RF output port should be terminated in 50 Ω .

For additional information, contact WPTC Marketing.

Table 1. Available Evaluation Boards

Product No	Divide modulus	f_{max} (GHz)	I_{cc} or I_{ee} (mA)
TC209P	2	12	35 to 40
TC207P	4	12	35 to 40
TC208P	8	12	35 to 40
TC204P	2	16	70 to 80
TC202P	4	16	70 to 80
TC203P	8	16	70 to 80

Table 2. Single Bias Operation

	V_{cc}	V_{ee}
Positive supply	+4.5 V to +6.5 V	GND
Negative supply	GND	-4.5 V to -6.5 V

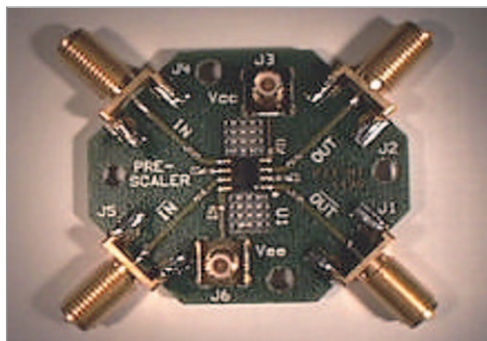


Figure 1. HBT Prescaler Evaluation Board

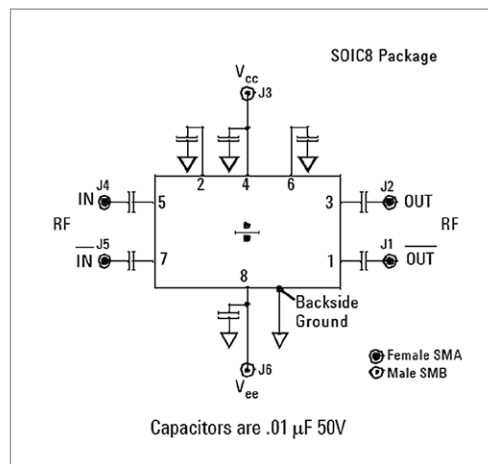


Figure 2. HBT Prescaler Evaluation Board Schematic

myKeysight

myKeysight

www.keysight.com/find/mykeysight

A personalized view into the information most relevant to you.



www.axistandard.org

AdvancedTCA® Extensions for Instrumentation and Test (AXIe) is an open standard that extends the AdvancedTCA for general purpose and semiconductor test. Keysight is a founding member of the AXIe consortium. ATCA®, AdvancedTCA®, and the ATCA logo are registered US trademarks of the PCI Industrial Computer Manufacturers Group.



www.lxistandard.org

LAN eXtensions for Instruments puts the power of Ethernet and the Web inside your test systems. Keysight is a founding member of the LXI consortium.



www.pxisa.org

PCI eXtensions for Instrumentation (PXI) modular instrumentation delivers a rugged, PC-based high-performance measurement and automation system.



Three-Year Warranty

www.keysight.com/find/ThreeYearWarranty

Keysight's commitment to superior product quality and lower total cost of ownership. The only test and measurement company with three-year warranty standard on all instruments, worldwide.



Keysight Assurance Plans

www.keysight.com/find/AssurancePlans

Up to five years of protection and no budgetary surprises to ensure your instruments are operating to specification so you can rely on accurate measurements.



www.keysight.com/quality

Keysight Technologies, Inc.
DEKRA Certified ISO 9001:2008
Quality Management System

Keysight Channel Partners

www.keysight.com/find/channelpartners

Get the best of both worlds: Keysight's measurement expertise and product breadth, combined with channel partner convenience.

www.keysight.com/find/mmic

For more information on Keysight Technologies' products, applications or services, please contact your local Keysight office. The complete list is available at: www.keysight.com/find/contactus

Americas

Canada	(877) 894 4414
Brazil	55 11 3351 7010
Mexico	001 800 254 2440
United States	(800) 829 4444

Asia Pacific

Australia	1 800 629 485
China	800 810 0189
Hong Kong	800 938 693
India	1 800 112 929
Japan	0120 (421) 345
Korea	080 769 0800
Malaysia	1 800 888 848
Singapore	1 800 375 8100
Taiwan	0800 047 866
Other AP Countries	(65) 6375 8100

Europe & Middle East

Austria	0800 001122
Belgium	0800 58580
Finland	0800 523252
France	0805 980333
Germany	0800 6270999
Ireland	1800 832700
Israel	1 809 343051
Italy	800 599100
Luxembourg	+32 800 58580
Netherlands	0800 0233200
Russia	8800 5009286
Spain	0800 000154
Sweden	0200 882255
Switzerland	0800 805353
	Opt. 1 (DE)
	Opt. 2 (FR)
	Opt. 3 (IT)
United Kingdom	0800 0260637

For other unlisted countries:
www.keysight.com/find/contactus
(BP-07-01-14)

